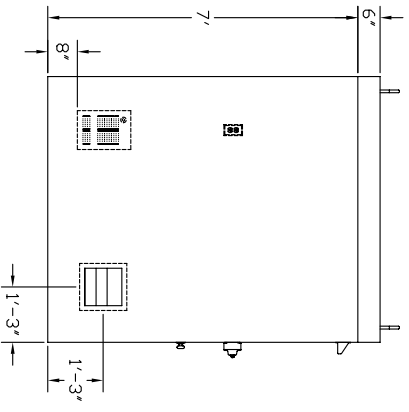
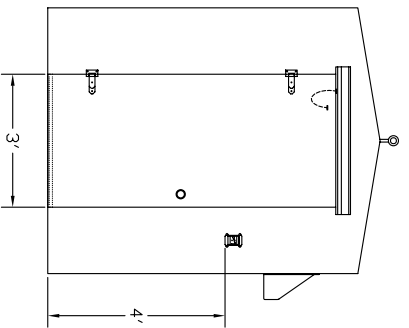


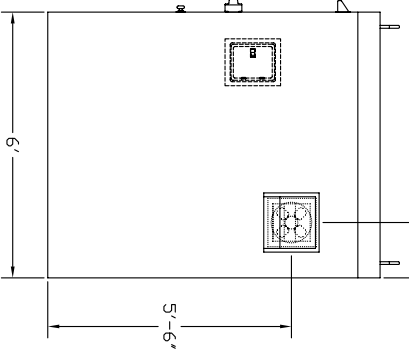
EXTERIOR COLOR:	#2445 GRAY CLOUD	LOAD CENTER:	125 A, ML, 120/240 VAC, 1P
INTERIOR COLOR:	#2445 GRAY CLOUD		NEMA 1 - SIEMENS E09ML1129AS
INSULATION:	1" (R-27)	LIGHT:	100 WATT INCAN. - M 14915K54
DOOR HDR:	SCHLAGE SS CLASSROOM STYLE	FAN:	585 CFM - G 2C819
	SS STRAP HINGES	SHUTTER:	10" X 10" - G 5C210
	SS DOOR STOP CHAIN	HEATER:	1500 WATT - G 5ZK68 & G5ZK72
ACCESSORIES:	NONE	OUTLET:	GFCI - LEVITON



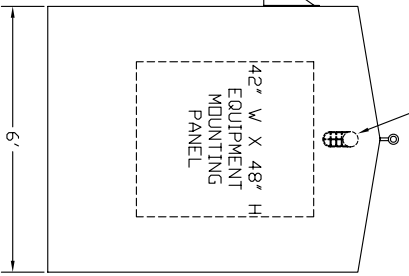
LEFT ELEVATION



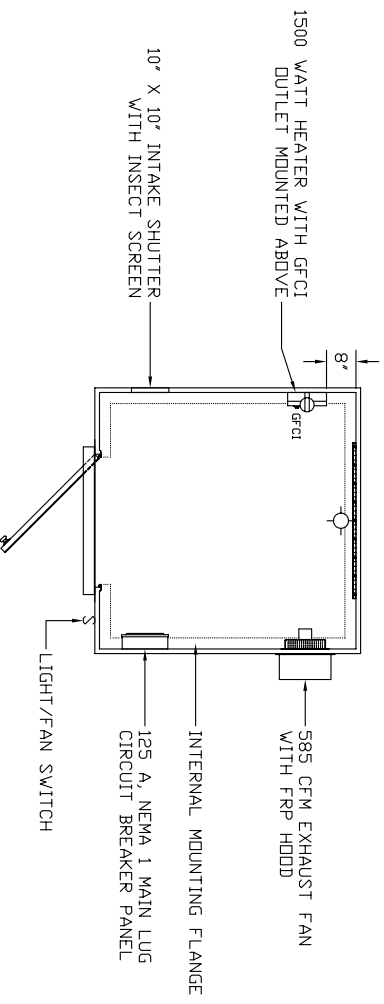
FRONT ELEVATION



RIGHT ELEVATION



REAR ELEVATION



PLAN VIEW

1) ANCHOR BOLTS BY OTHERS



ONE-PIECE FRP BUILDING, 6'-0" W X 6'-0" D X 7'-6" H WITH STANDARD ACCESSORIES PACKAGE

DMG. NO. OPB-72-72-90-01

REV 0

PROJECT STANDARD BUILDING SIZE

DATE 11/5/03