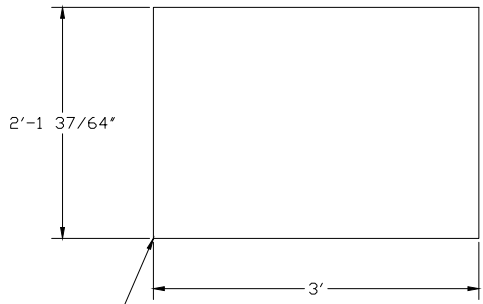
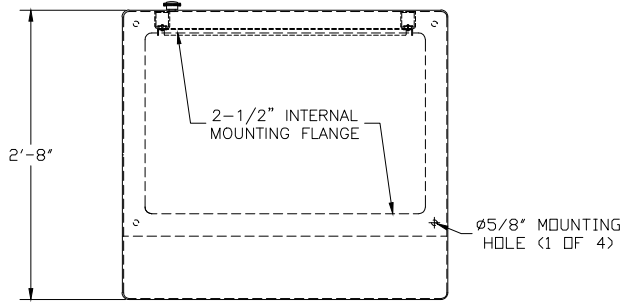


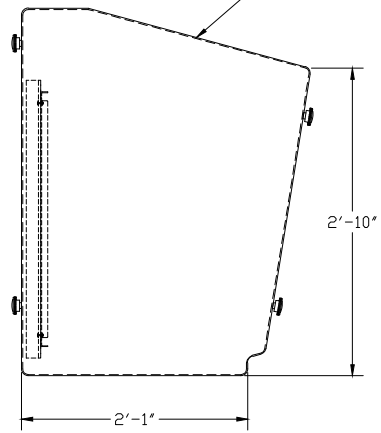
EXTERIOR COLOR:	#1555 WHALE BONE
INTERIOR COLOR:	#1555 WHALE BONE
FINISH:	SATIN
HDR:	SOUTHCO TYPE 44 LATCHES
ACCESSORIES:	(1) CP-3030 (2) SUB-PANEL MOUNTING STRUTS HINGED ACCESS DOORS



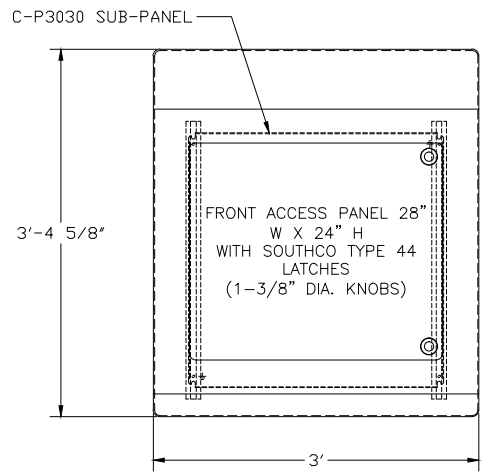
MOUNTING SURFACE AREA
(INDICATE SIZE/LOCATION OF
RECTANGULAR CUT-OUT)



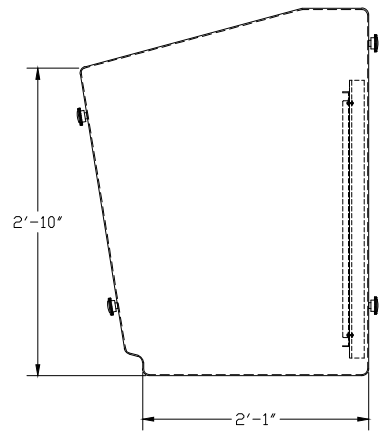
PLAN VIEW



LEFT ELEVATION



FRONT ELEVATION



RIGHT ELEVATION

- 1) (1) FRONT ACCESS PANEL (28" W X 24" H)
- 2) (1) REAR ACCESS PANEL (28" W X 32" H)
- 3) (1) CP-3030 12 GAUGE PAINTED STEEL SUB-PANEL
- 4) SPECIFY LOCATION OF RECTANGULAR CUT-OUT

 FIBERGLASS PRODUCTS	SERIES 500 CONTROL CONSOLE, 36" W X 32" D X 40-5/8" H, WITH SATIN WHALE BONE GEL COAT, 12 GAUGE PAINTED STEEL SUB-PANELS, AND HINGED ACCESS DOORS	
	DWG. NO. CON-500TT-36-1555-S-CR-P-H	REV 1
PROJECT REAL PROCURE BECKENHAM, KENT, U.K.	DATE 4/30/04	