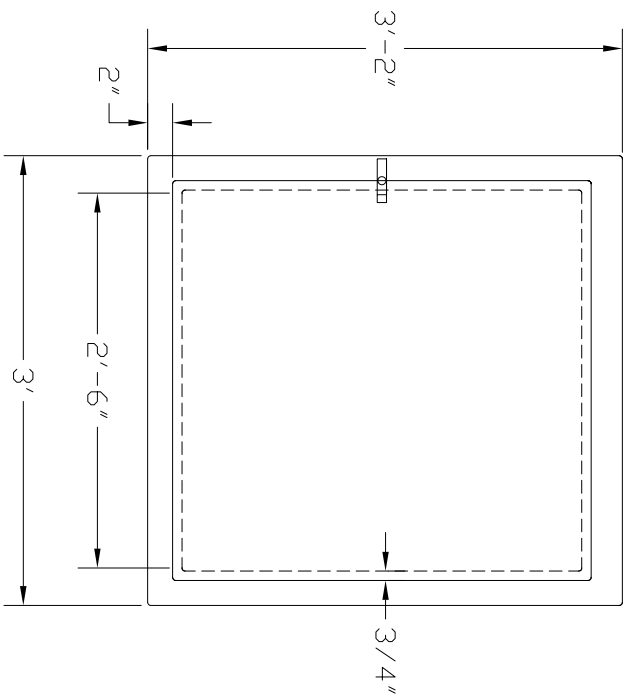
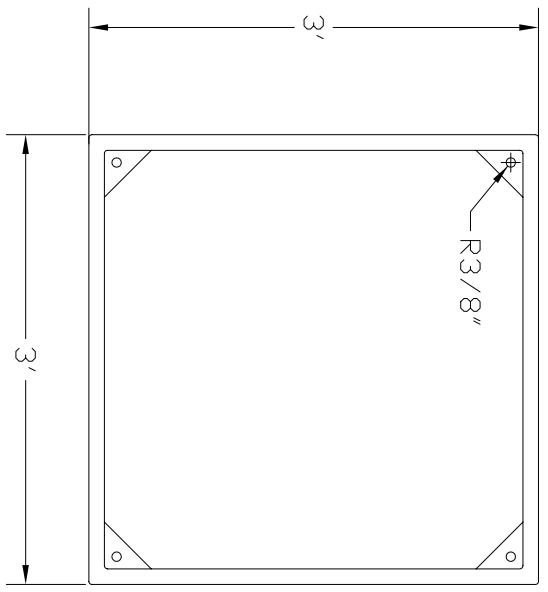


1" THICK ISOCYANURATE FOAM CORE IN WALLS, TOP, AND DOOR
 STAINLESS STEEL PAD LOCKABLE HASP, MODEL 72SSRH
 STAINLESS STEEL CONTINUOUS PIANO HINGE
 FOUR (4) MOUNTING POINTS (NO FLOOR)



ELEVATION



PLAN VIEW
 (BOTTOM)

		MODEL 200-011 ENCLOSURE	
		DWG. NO.	200-011-01
BY	JPW	PROJECT	DATE 1/4/01
REV	0		