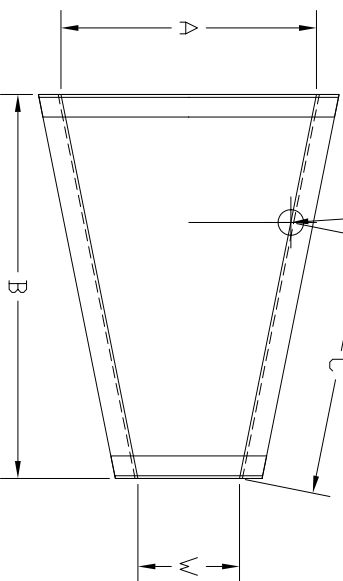
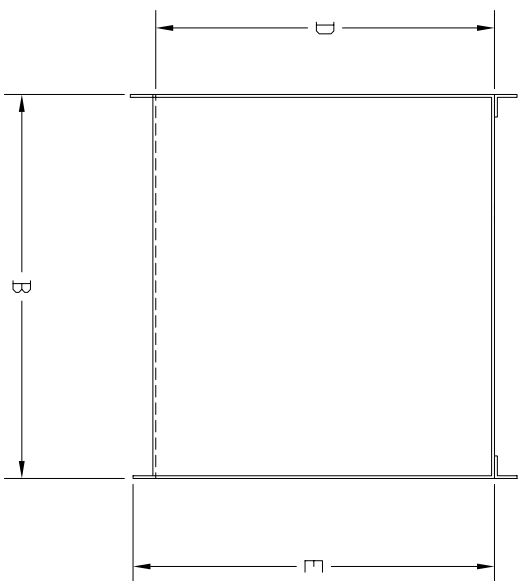


POINT OF MEASUREMENT



PLAN VIEW



ELEVATION VIEW

W	A	B	C	D	E	MIN. FGM	MAX. FGM
1'	6 ¹⁹ / ₃₂ "	14"	9 ¹⁷ / ₃₂ "	9"	11"	2	85
2'	8 ¹³ / ₃₂ "	16"	10 ⁷ / ₈ "	9"	11"	3	194
3'	10 ³ / ₁₆ "	18"	12 ¹ / ₄ "	24"	26"	4	508
6'	15 ⁵ / ₈ "	24"	16 ⁵ / ₁₆ "	24"	26"	23	1,382
9'	22 ⁵ / ₈ "	34"	23 ¹ / ₈ "	30"	32"	41	2,801
12'	33 ¹ / ₄ "	52 ⁷ / ₈ "	36"	36"	38"	146	7,336
18'	40 ³ / ₈ "	55 ⁷ / ₈ "	38"	36"	38"	229	11,040
21'	43 ¹⁵ / ₁₆ "	57 ³ / ₈ "	38"	36"	38"	261	12,929
24'	47 ¹ / ₂ "	58 ⁵ / ₈ "	40"	36"	38"	296	14,853
30'	54 ³ / ₄ "	61 ⁵ / ₈ "	42"	36"	38"	366	18,721
36'	61 ⁵ / ₈ "	64 ³ / ₄ "	44"	36"	38"	434	22,518
48'	76 ¹ / ₄ "	70 ⁵ / ₈ "	48"	36"	38"	567	30,484
60'	90 ⁵ / ₈ "	76 ¹ / ₂ "	52"	36"	38"	995	38,426
72'	105"	82 ³ / ₈ "	56"	36"	38"	1,181	46,431
84'	119 ³ / ₈ "	88 ¹ / ₂ "	60"	36"	38"	1,828	54,489
96'	132 ³ / ₄ "	94 ¹ / ₈ "	64"	36"	38"	2,076	62,591
120'	187 ¹ / ₄ "	168"	72"	48"	50"	2,575	162,414
144'	216 ³ / ₄ "	192"	80"	60"	62"	3,057	275,541

		MONTANA FLUME MASTER DIMENSIONS (ENGLISH UNITS)			
				DWG. NO.	MON-MD-01
BY	JPW	PROJECT		DATE	3/25/02
REV	1				

-FLOW IS FROM LEFT TO RIGHT