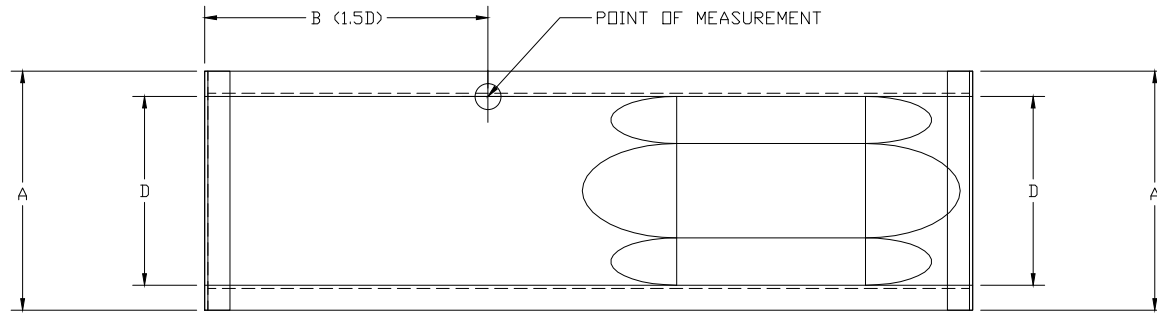
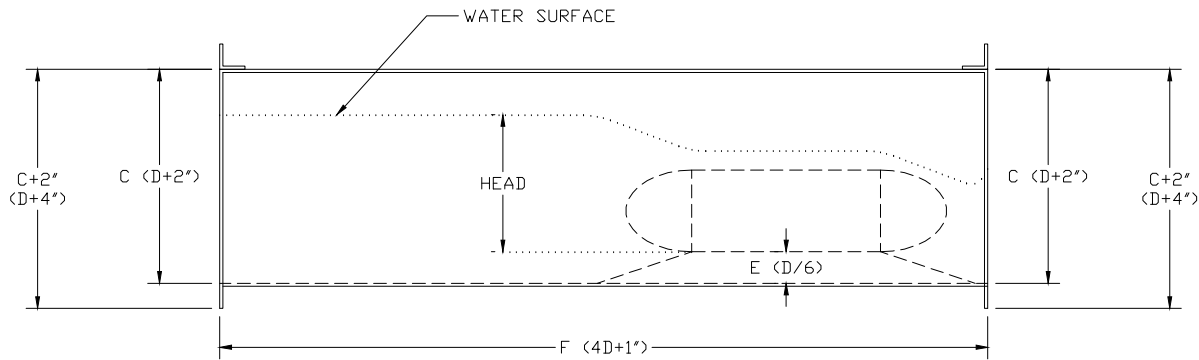


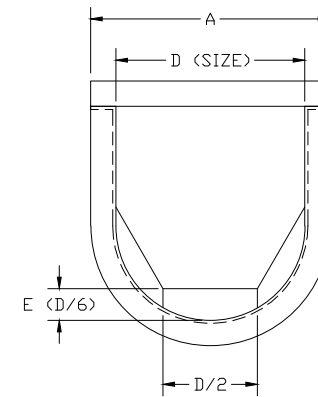
| D (SIZE) | A | B | C | E | F | MIN FLOW RATE | MIN FLOW RATE |
|----------|-----|---------|-----|--------|------|---------------|---------------|
| 4" | 8" | 2" | 6" | 3" | 17" | 5 | 55 |
| 6" | 10" | 3" | 8" | 1" | 25" | 15 | 148 |
| 8" | 12" | 4" | 10" | 1 1/2" | 33" | 24 | 213 |
| 10" | 14" | 5" | 12" | 1 3/4" | 41" | 41 | 521 |
| 12" | 16" | 6" | 14" | 2" | 49" | 89 | 817 |
| 15" | 19" | 7 1/2" | 17" | 2 1/2" | 61" | 148 | 1,450 |
| 18" | 24" | 9" | 20" | 3" | 73" | 239 | 2,271 |
| 21" | 27" | 10 1/2" | 23" | 3 1/2" | 85" | 356 | 3,322 |
| 24" | 30" | 12" | 26" | 4" | 97" | 505 | 4,622 |
| 27" | 33" | 13 1/2" | 29" | 4 1/2" | 109" | 660 | 6,259 |
| 30" | 36" | 15" | 32" | 5" | 121" | 868 | 8,116 |
| 33" | 39" | 16 1/2" | 35" | 5 1/2" | 133" | (2) | (2) |
| 36" | 41" | 18" | 38" | 6" | 145" | 1,392 | 12,736 |
| 42" | 48" | 21" | 44" | 7" | 169" | 2,023 | 18,794 |
| 48" | 54" | 24" | 50" | 8" | 193" | 2,858 | 26,145 |



PLAN VIEW




RIGHT ELEVATION



DISCHARGE ELEVATION

- 1) FLOW IS FROM LEFT TO RIGHT
- 2) CONSULT THE FACTORY
- 3) UPSTREAM PIPE SLOPE MUST NOT EXCEED 3%
- 4) 25 PIPE DIAMETERS OF UPSTREAM STRAIGHT PIPE RECOMMENDED
- 5) FLOW ENTERING THE FLUME MUST BE SUBCRITICAL, TRANQUIL, AND UNIFORMLY DISTRIBUTED
- 6) THE HEAD IS: THE DEPTH FROM THE WATER SURFACE TO THE FLUME FLOOR, MINUS THE HEIGHT OF THE THROAT RAMP "E"

| | | |
|--|---|---------------|
|  FIBERGLASS PRODUCTS | PALMER-BOWLUS FLUME, 4D+1" PERMANENT STYLE, MASTER DIMENSIONS (ENGLISH UNITS) | |
| | DWG. NO. PB-4D-MD-E | REV 0 |
| PROJECT | STANDARD FLUME SIZES | DATE 12/15/03 |