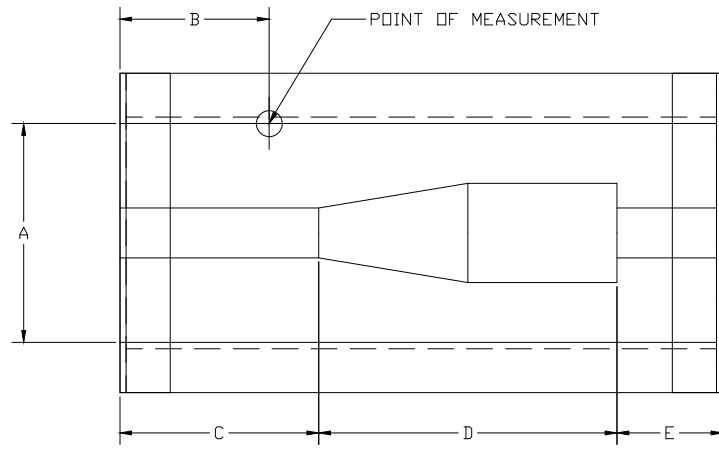
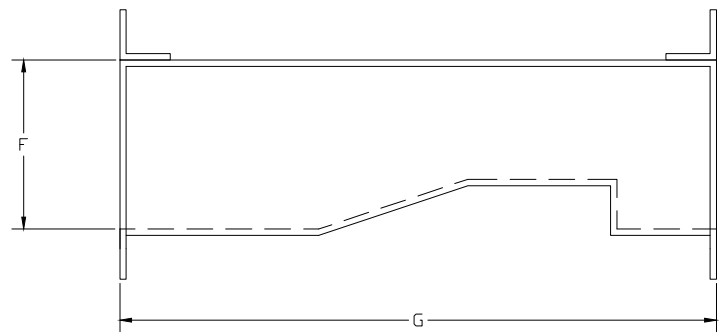


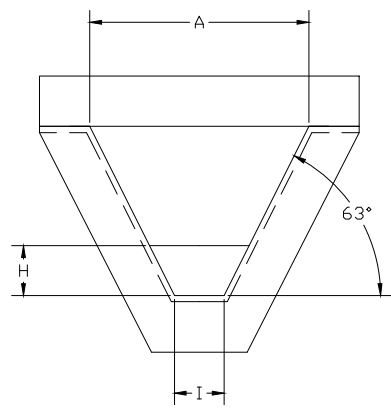
SIZE	A	B	C	D	E	F	G	H	I	MIN. FLOW GPM	MAX. FLOW GPM
50mm	4 $\frac{11}{32}$ "	2 $\frac{61}{64}$ "	3 $\frac{15}{16}$ "	5 $\frac{29}{32}$ "	1 $\frac{31}{32}$ "	3 $\frac{11}{32}$ "	11 $\frac{13}{16}$ "	$\frac{63}{64}$ "	$\frac{63}{64}$ "	0.5	23
75mm	6 $\frac{1}{2}$ "	4 $\frac{27}{64}$ "	5 $\frac{29}{32}$ "	8 $\frac{27}{32}$ "	2 $\frac{61}{64}$ "	5 $\frac{1}{64}$ "	17 $\frac{45}{64}$ "	1 $\frac{15}{32}$ "	1 $\frac{15}{32}$ "	2	68
100mm	8 $\frac{45}{64}$ "	5 $\frac{29}{64}$ "	7 $\frac{29}{32}$ "	11 $\frac{27}{32}$ "	4 $\frac{13}{64}$ "	6 $\frac{23}{32}$ "	23 $\frac{45}{64}$ "	1 $\frac{31}{32}$ "	1 $\frac{31}{32}$ "	3	139
150mm	13"	8 $\frac{27}{32}$ "	11 $\frac{51}{64}$ "	17 $\frac{45}{64}$ "	5 $\frac{29}{32}$ "	10 $\frac{1}{32}$ "	35 $\frac{13}{32}$ "	2 $\frac{61}{64}$ "	2 $\frac{61}{64}$ "	8	391
200mm	17 $\frac{21}{64}$ "	11 $\frac{13}{16}$ "	15 $\frac{47}{64}$ "	23 $\frac{39}{64}$ "	7 $\frac{7}{8}$ "	13 $\frac{3}{8}$ "	47 $\frac{7}{32}$ "	3 $\frac{15}{16}$ "	3 $\frac{15}{16}$ "	17	790



PLAN VIEW




RIGHT ELEVATION



DISCHARGE END ELEVATION

1) FLOW IS FROM LEFT TO RIGHT

 FIBERGLASS PRODUCTS	RBC FLUME MASTER DIMENSIONS (ENGLISH UNITS)	
	DWG. NO. RBC-MD-E	REV 0
PROJECT	STANDARD FLUME SIZES	DATE 8/9/04