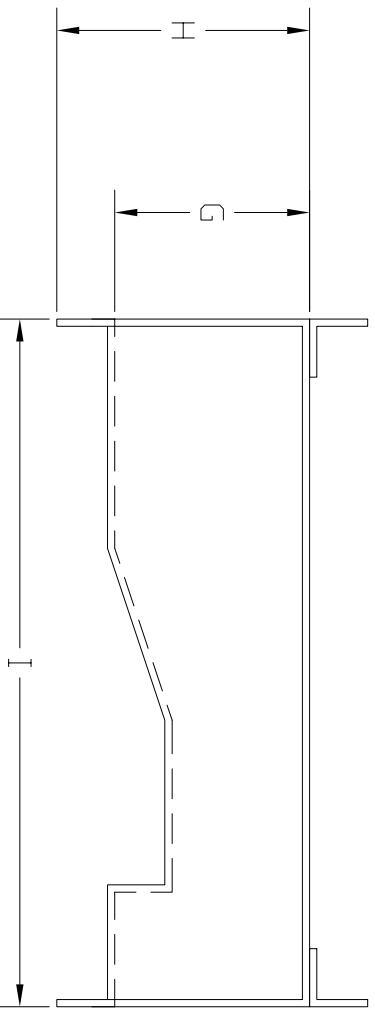
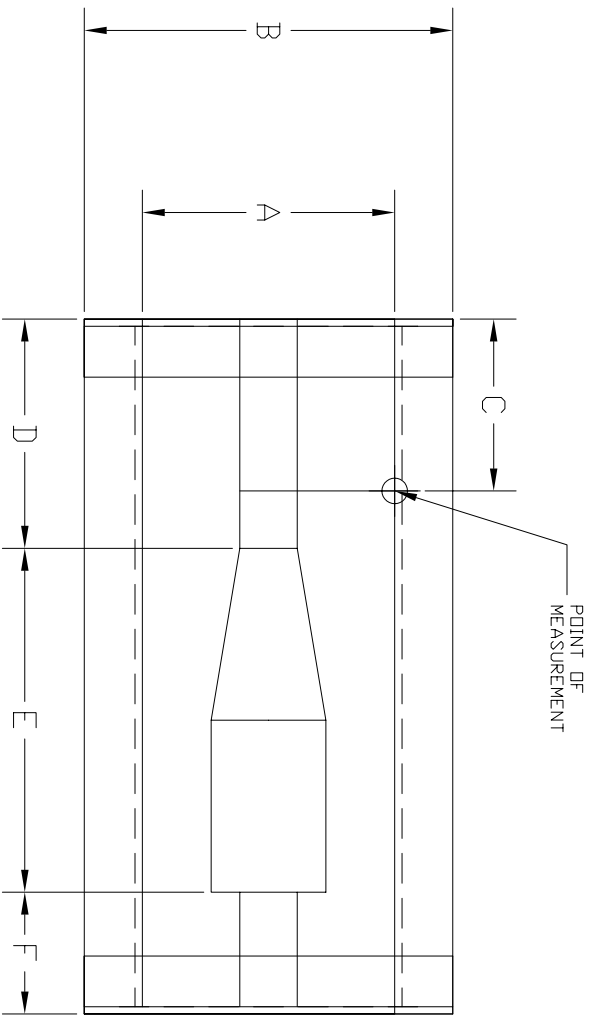
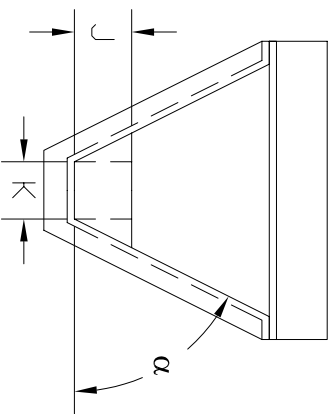


SIZE	A	B	C	D	E	F	G	H	I	J	K	α	MIN. FLOW L/S	MAX. FLOW L/S
50mm	11	21.16	7.5	10	15	5	8.5	13.58	30	2.5	2.5	63°	0.0263	1.522
75mm	16.5	26.66	11.25	15	22.5	7.5	12.75	17.83	45	3.75	3.75	63°	0.0672	4.326
100mm	22.1	32.26	15	20	30	10	17	22.08	60	5	5	63°	0.159	8.682
150mm	33	43.16	22.5	30	45	15	25.5	30.58	90	8.75	8.75	63°	0.401	24.00
200mm	44.0	54.16	30	40	60	20	34	39.08	120	10	10	63°	0.9348	49.35



-FLOW IS FROM LEFT TO RIGHT



		RBC FLUME MASTER DIMENSIONS (METRIC UNITS)	
		DWG. NO.	REV
BY	JPW	PROJECT	RBC-MD-M-01
DATE		9/24/01	
REV		1	