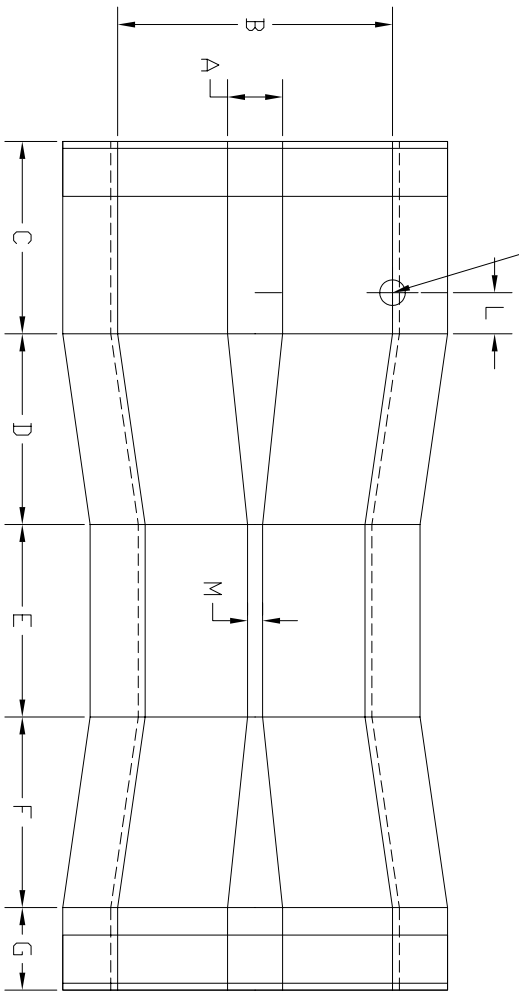
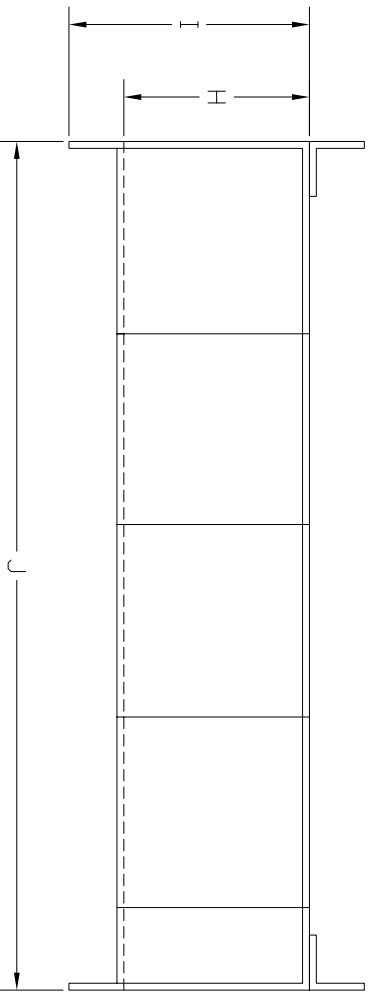


SIZE	A	B	C	D	E	F	G	H	I	J	K	L	M	$\alpha$	MIN. FPM	MAX. FPM
SMALL 60° (#4)	2"	6 $\frac{3}{4}$ "	5"	4 $\frac{3}{4}$ "	5"	4 $\frac{3}{4}$ "	2"	4"	6"	20 $\frac{3}{32}$ "	10 $\frac{3}{4}$ "	1"	0"	60°	1	43
LARGE 60° (#3)	2"	10"	7"	6 $\frac{15}{16}$ "	7"	6 $\frac{15}{16}$ "	3"	6 $\frac{3}{4}$ "	8 $\frac{3}{4}$ "	30 $\frac{7}{8}$ "	14"	1 $\frac{1}{2}$ "	0"	60°	1	156
EXTRA LARGE 60° (#1)	4 $\frac{1}{2}$ "	18 $\frac{3}{8}$ "	7"	6 $\frac{15}{16}$ "	18"	6 $\frac{15}{16}$ "	3"	12"	14"	41 $\frac{7}{8}$ "	22 $\frac{3}{8}$ "	1 $\frac{1}{2}$ "	0"	60°	1	663
12° 45° SRCRC (#1)	12"	36 $\frac{13}{16}$ "	15"	17 $\frac{1}{16}$ "	12"	17 $\frac{1}{16}$ "	6"	16"	18"	67 $\frac{1}{8}$ "	40 $\frac{13}{16}$ "	1 $\frac{3}{4}$ "	4 $\frac{13}{16}$ "	45°	74	3,177
24° 45° SRCRC (#2)	24"	114"	24"	36"	30"	24"	12"	36"	38"	126"	118"	6"	12"	45°	320	23,780
2° 45° WSC (#6)	4 $\frac{7}{8}$ "	26 $\frac{1}{16}$ "	8"	8 $\frac{3}{8}$ "	8 $\frac{1}{2}$ "	8 $\frac{3}{8}$ "	3"	10 $\frac{19}{32}$ "	12 $\frac{19}{32}$ "	36 $\frac{1}{4}$ "	30 $\frac{1}{16}$ "	1 $\frac{1}{2}$ "	2"	45°	1	1,161

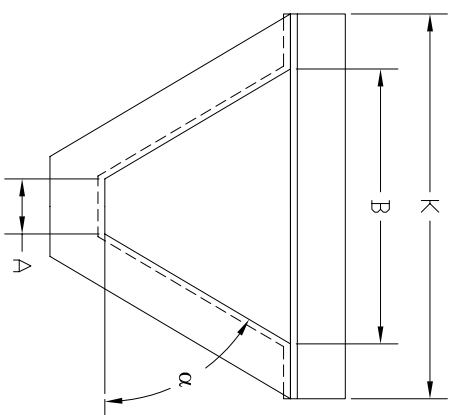
POINT OF MEASUREMENT



PLAN VIEW



ELEVATION VIEW



END VIEW

-FLOW IS FROM LEFT TO RIGHT

		TRAPEZOIDAL FLUME MASTER DIMENSIONS (ENGLISH UNITS)	
		DWG. NO. TRAP-MD-01	REV 1
BY JPW	PROJECT	DATE 9/24/01	